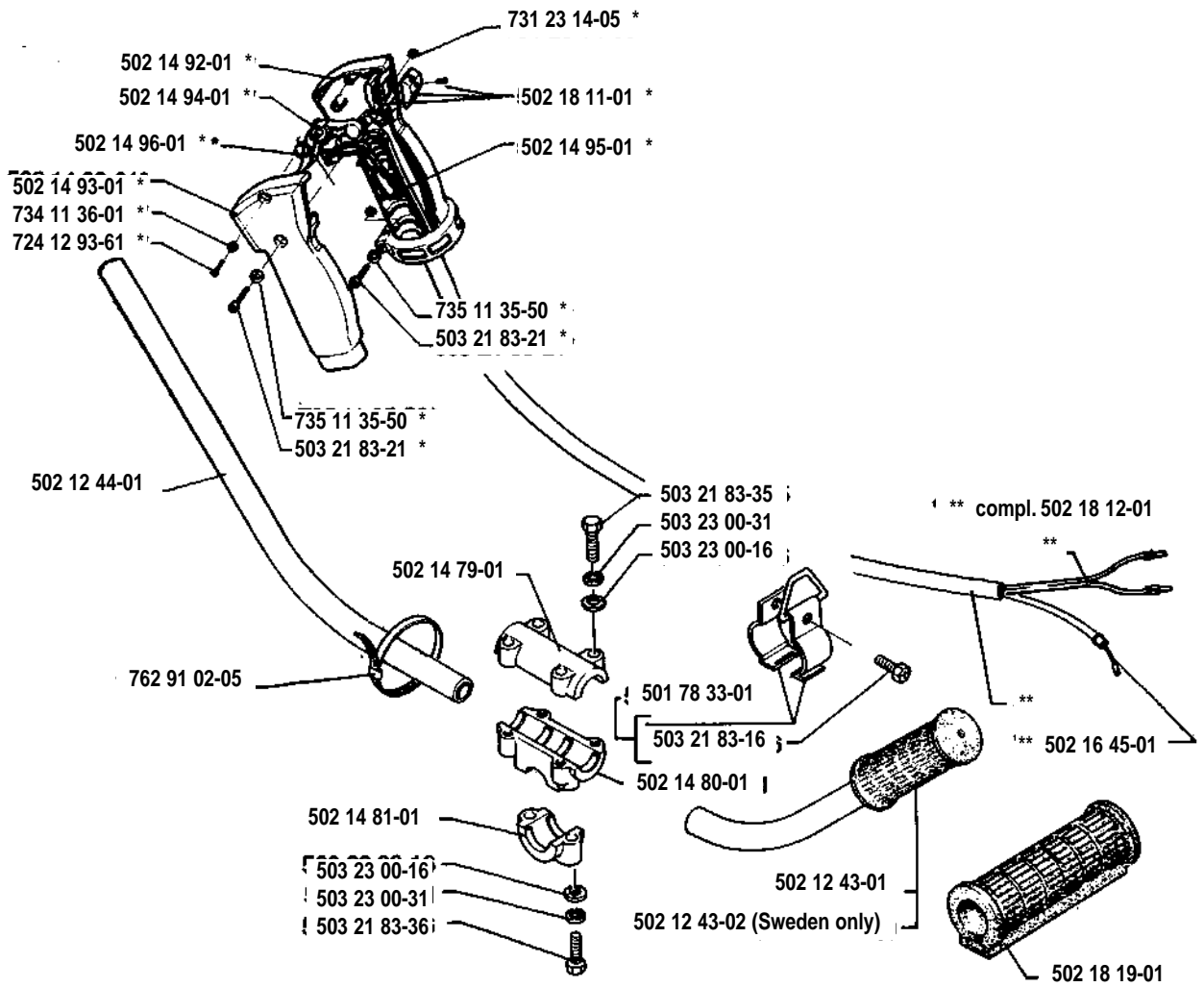
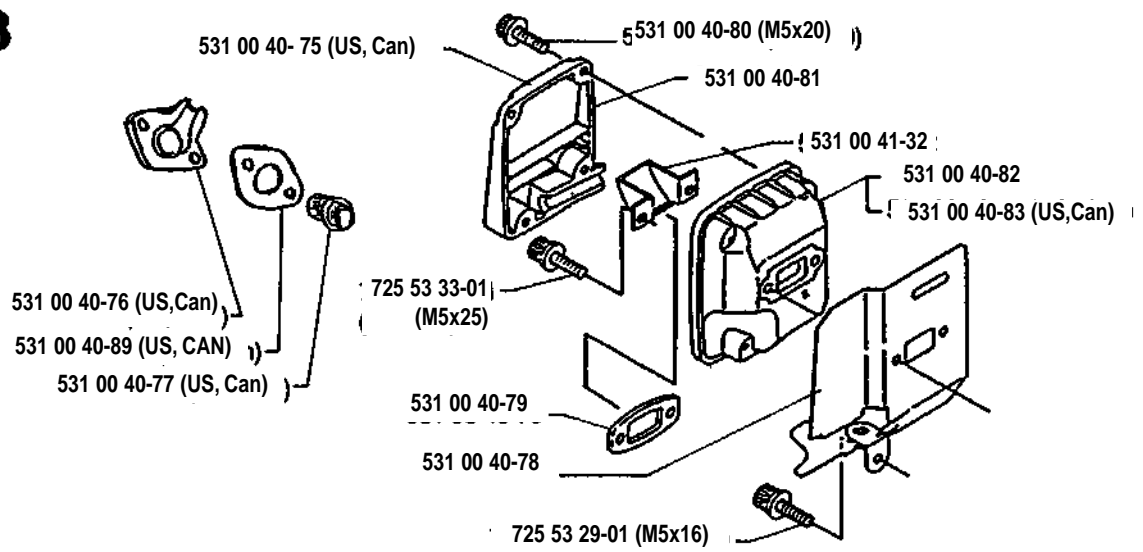
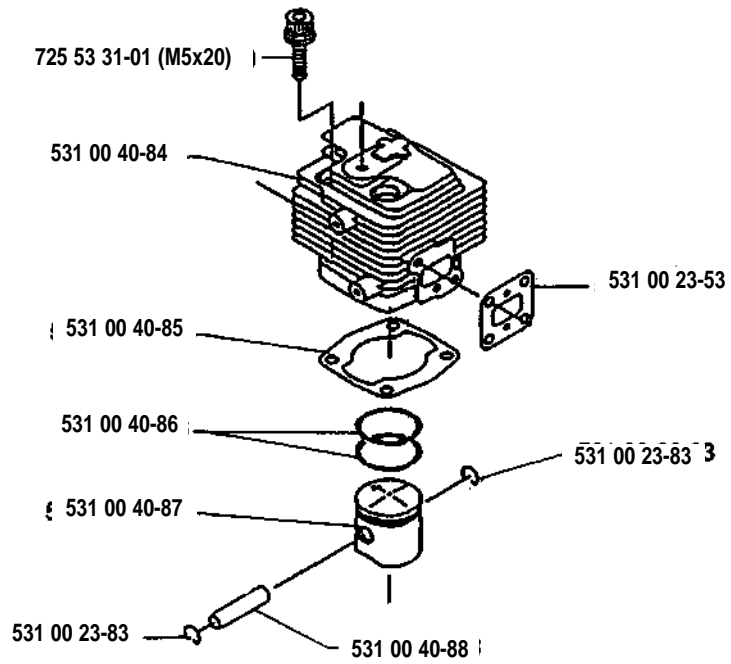
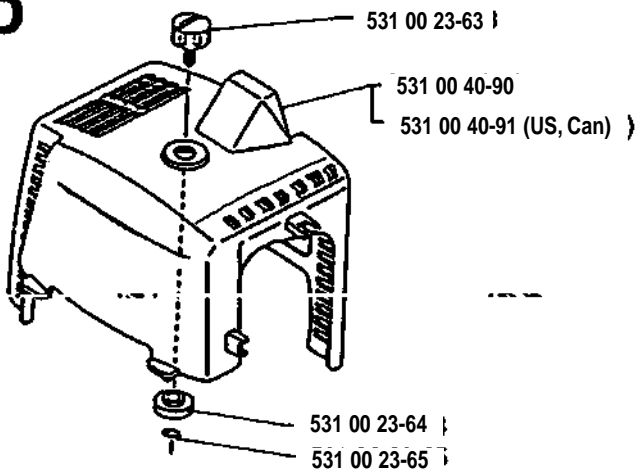
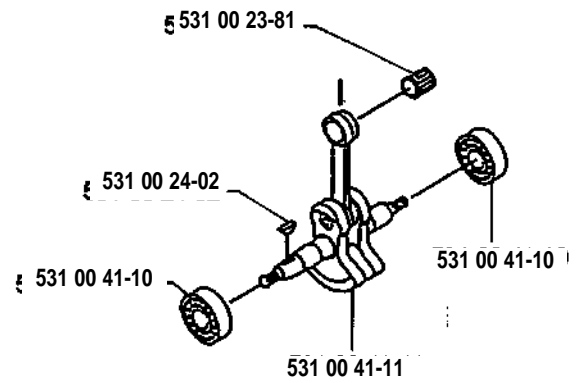
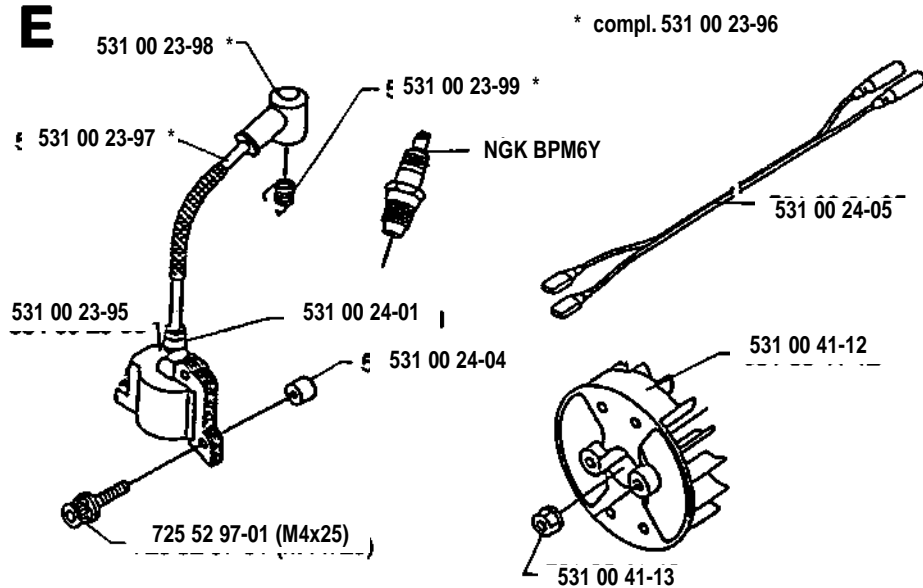


A (120 R)

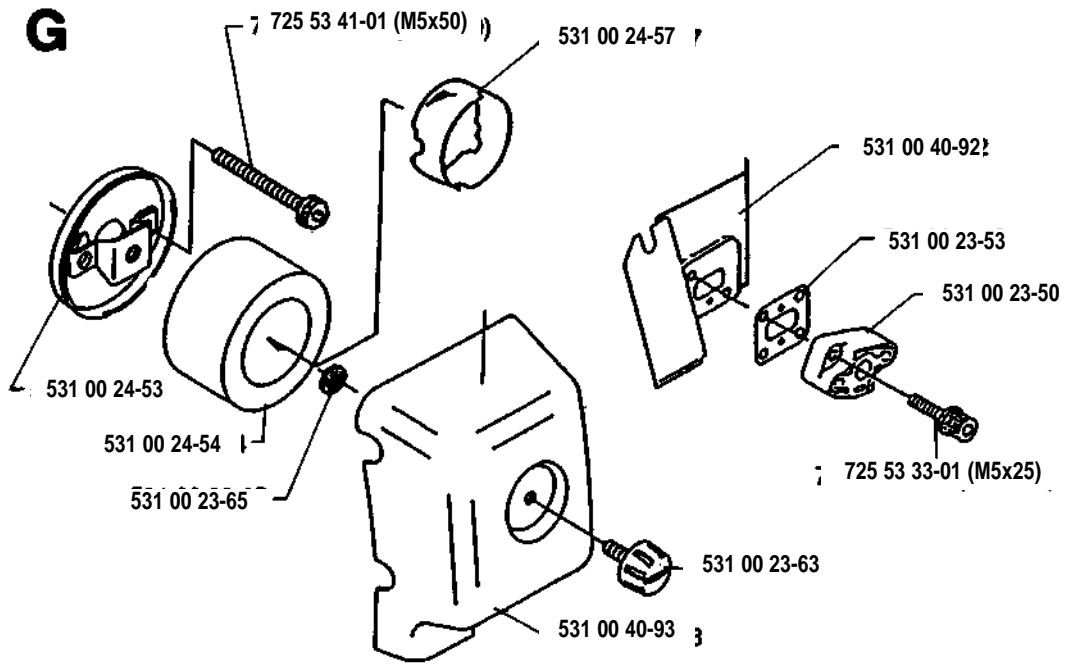


B



C**D****F****E**

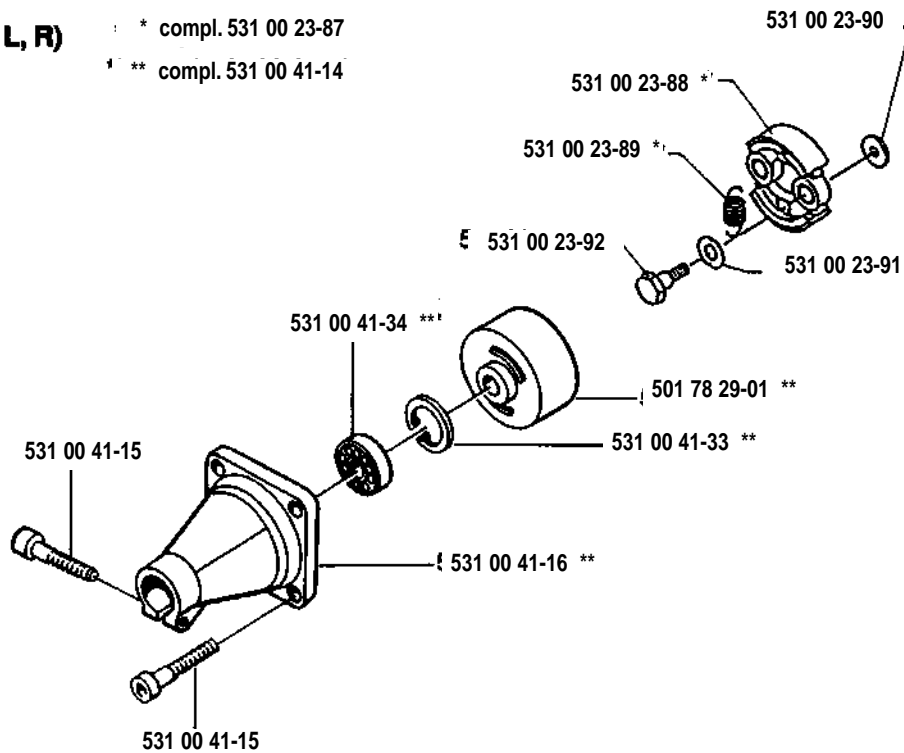
G



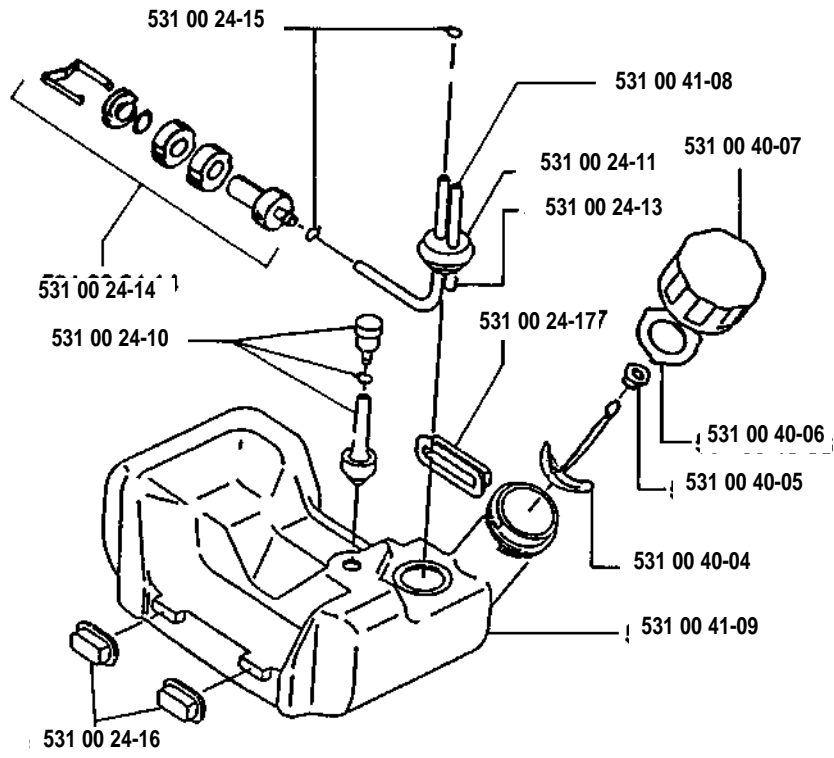
H (120 L, R)

* compl. 531 00 23-87

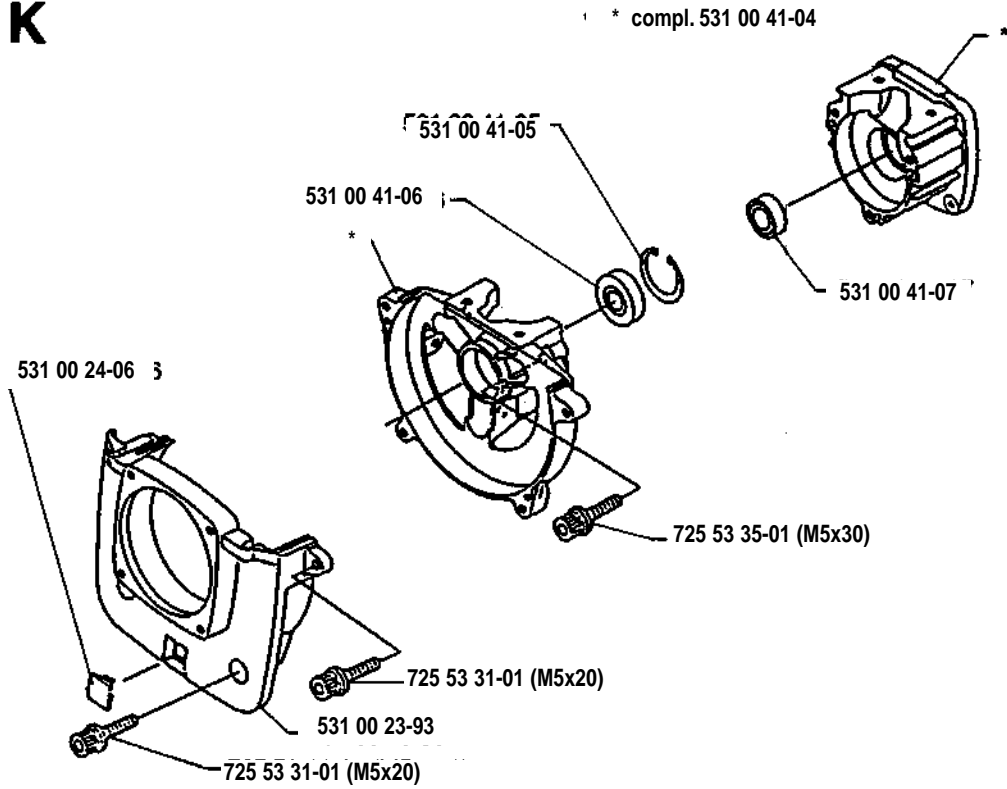
** compl. 531 00 41-14



J

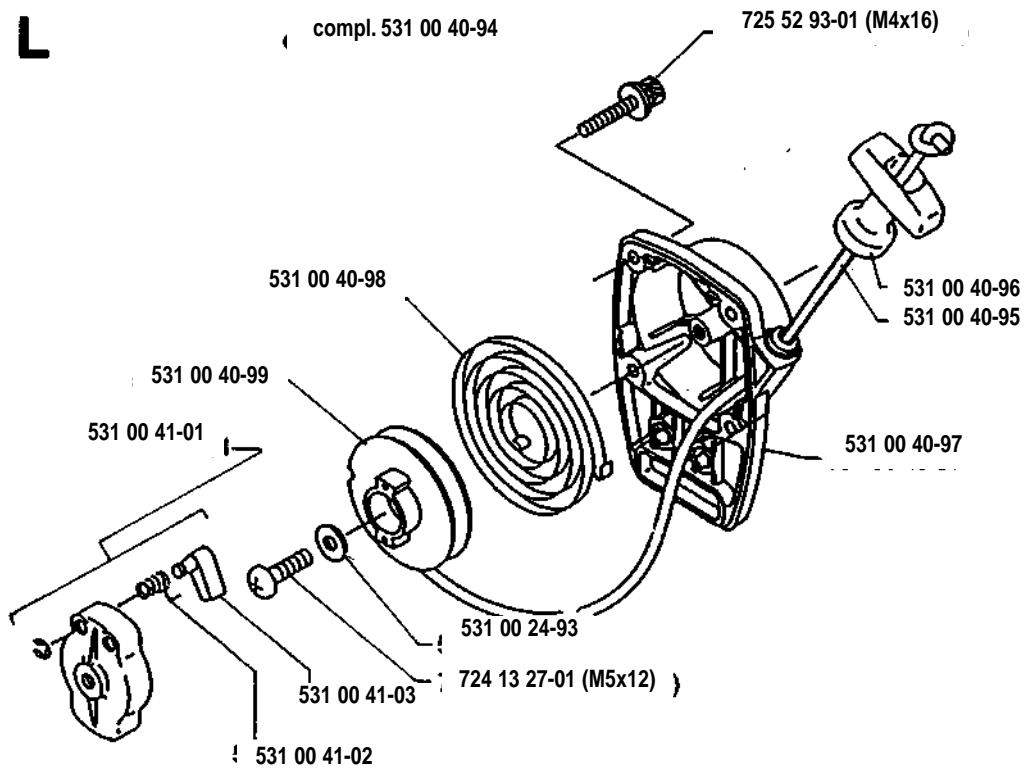


K

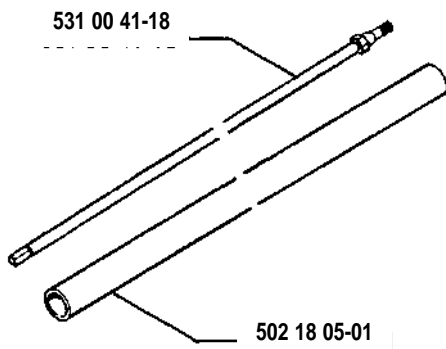


L

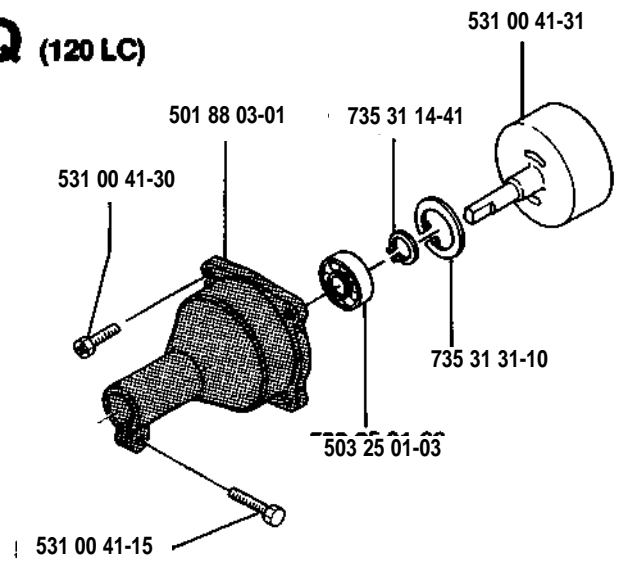
compl. 531 00 40-94



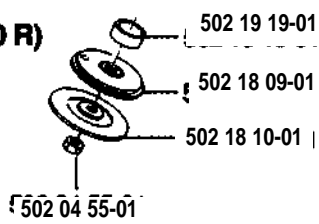
M (120 L, 120 R)



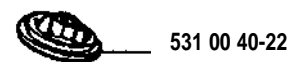
Q (120 LC)



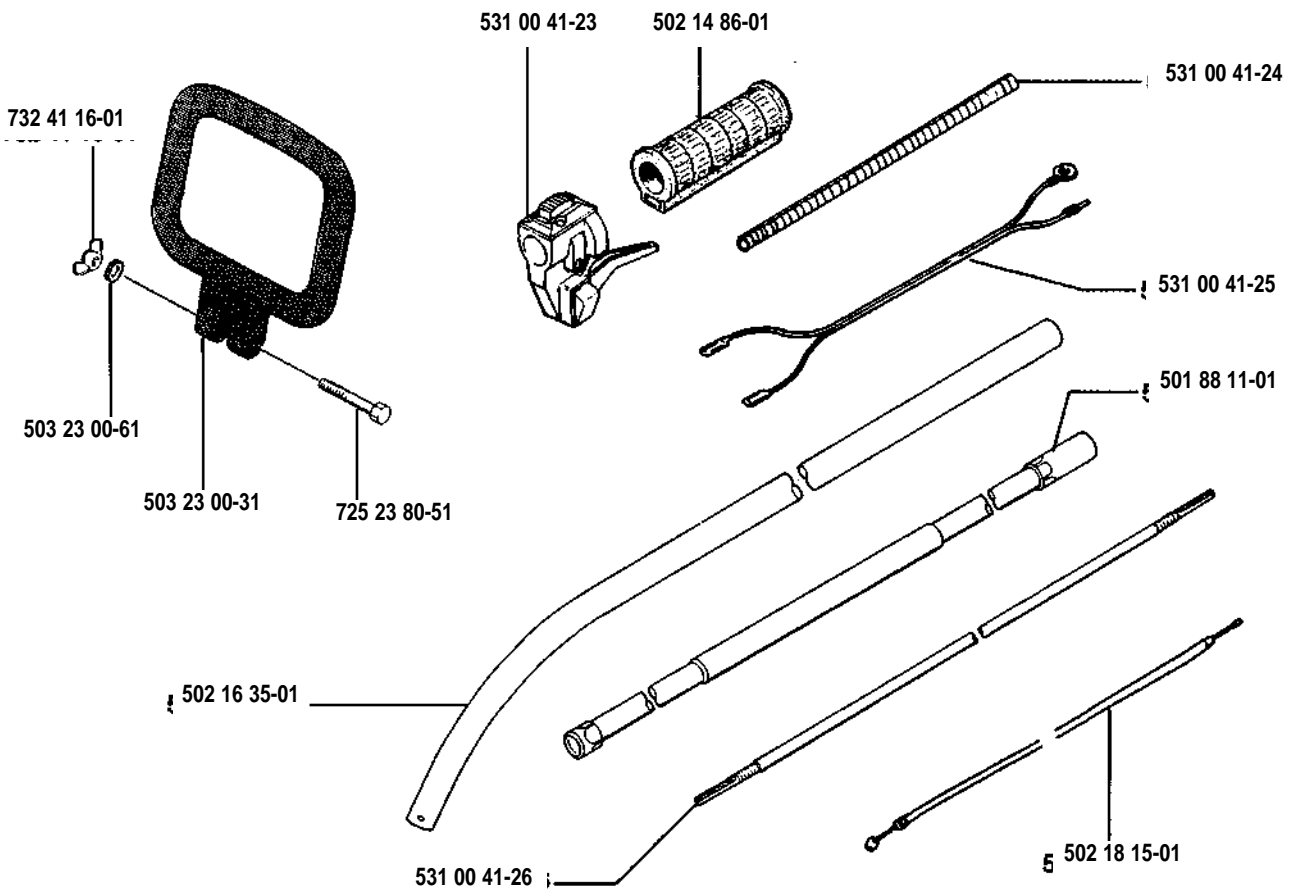
T (120 R)



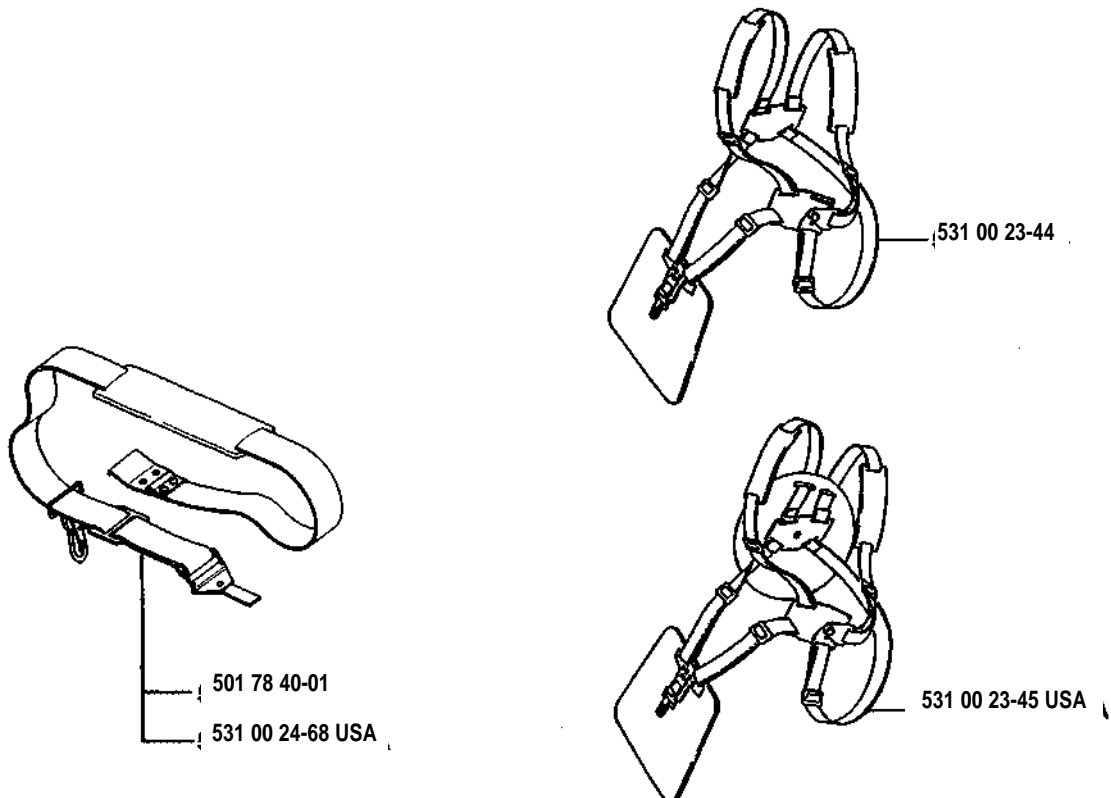
U (120 L)



N (120 LC)

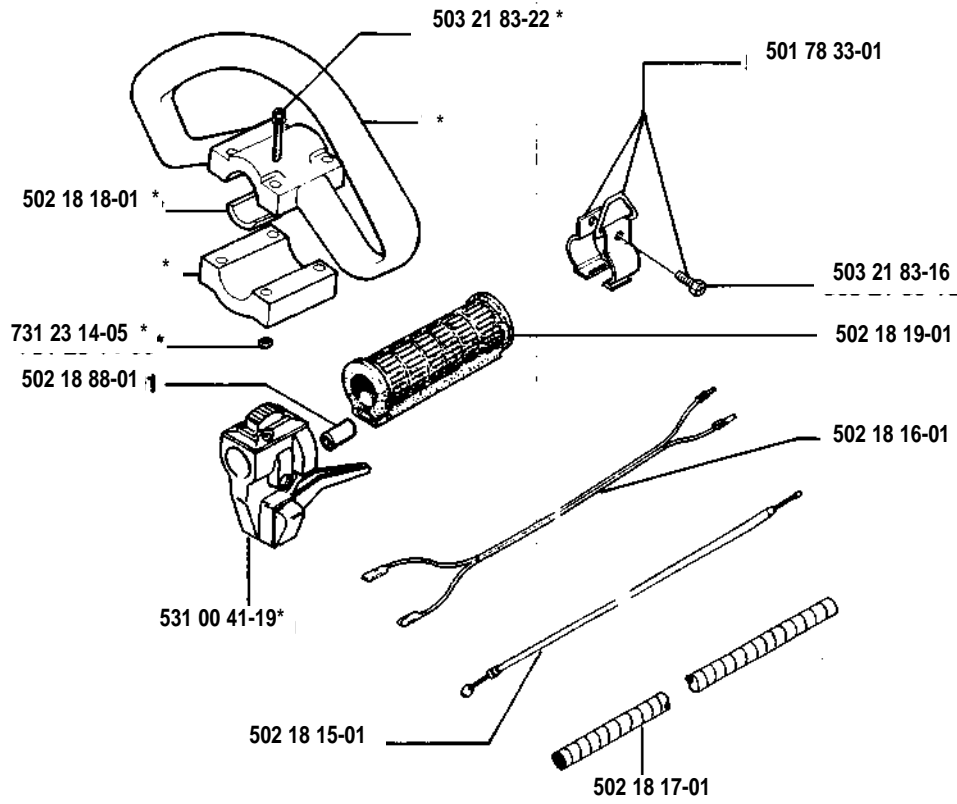


R



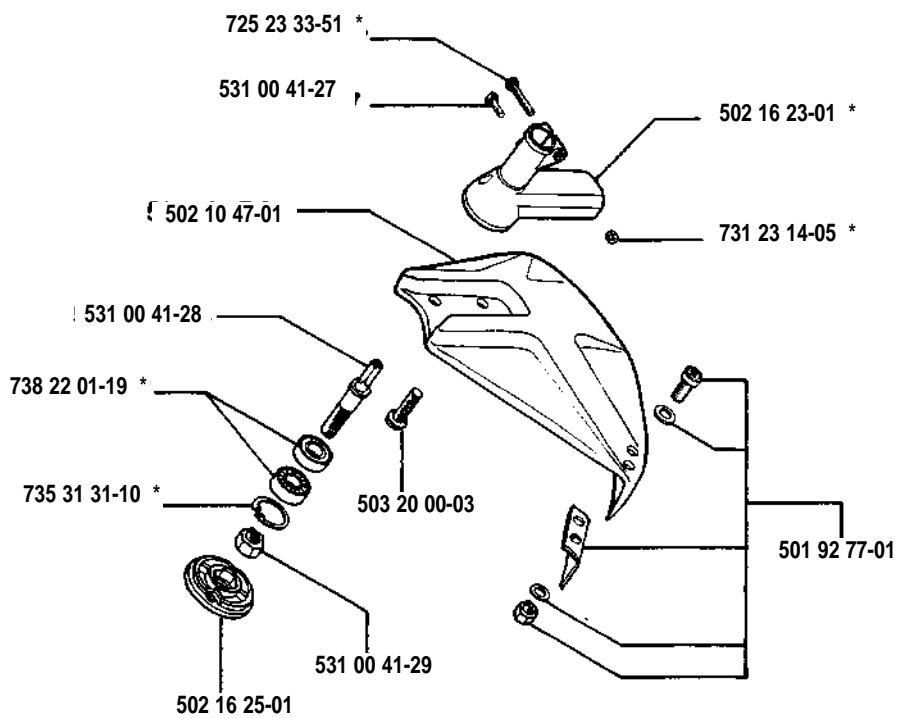
O (120 L)

* compl. 502 18 14-01



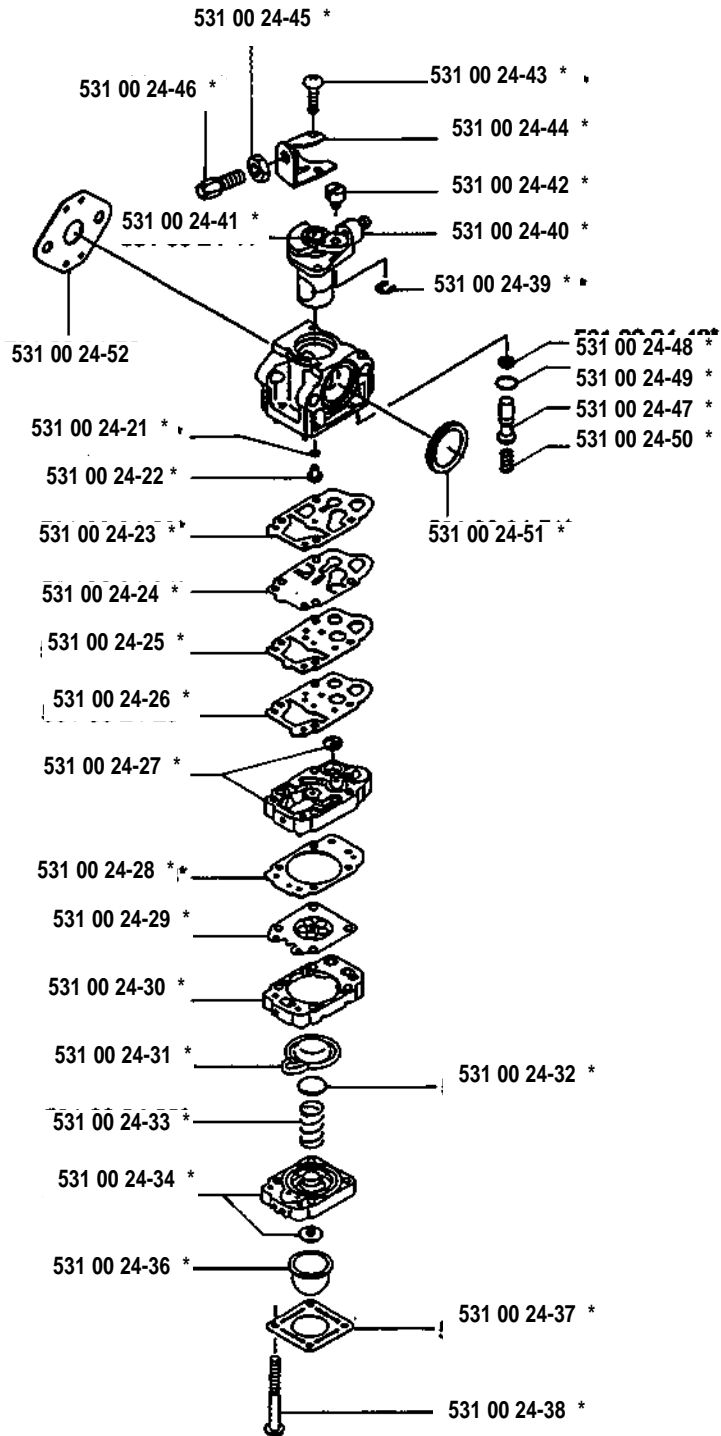
V (120 LC)

* compl. 531 00 41-20



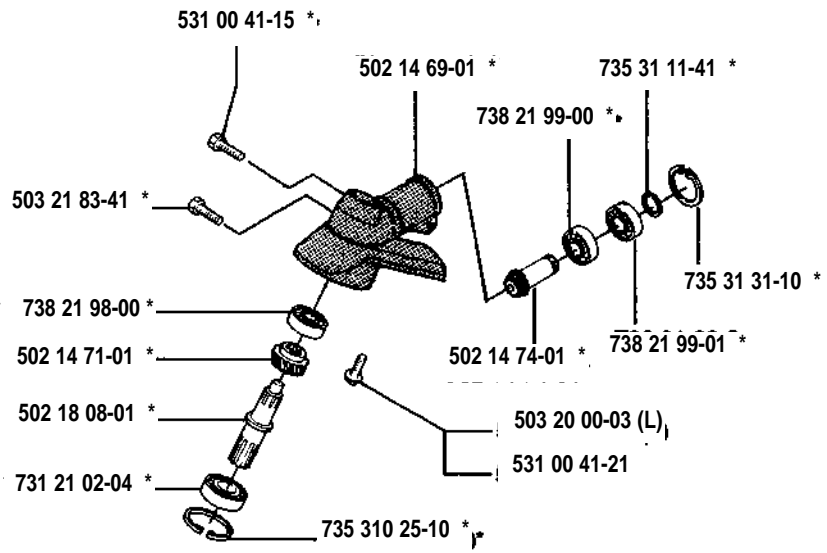
P

* compl. 531 00 41-22



S (120 L, 120 R)

* compl. 531 00 40-26 ;



Z

